

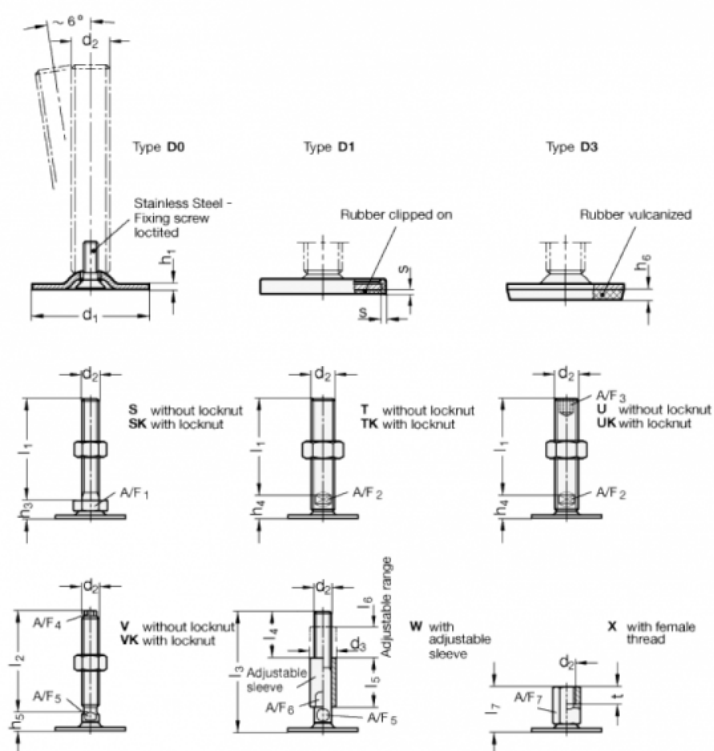
Article number: 204180M1080D0S

Description: E+G levelling foot

GN 41-80-M10-80-D0-S

Note: S Without nut, External hexagon at the bottom

Measures



A/F1	=	17
d1	=	80
d2	=	M10
h1	=	3
h3	=	11
h6	=	
l1	=	80
s	=	